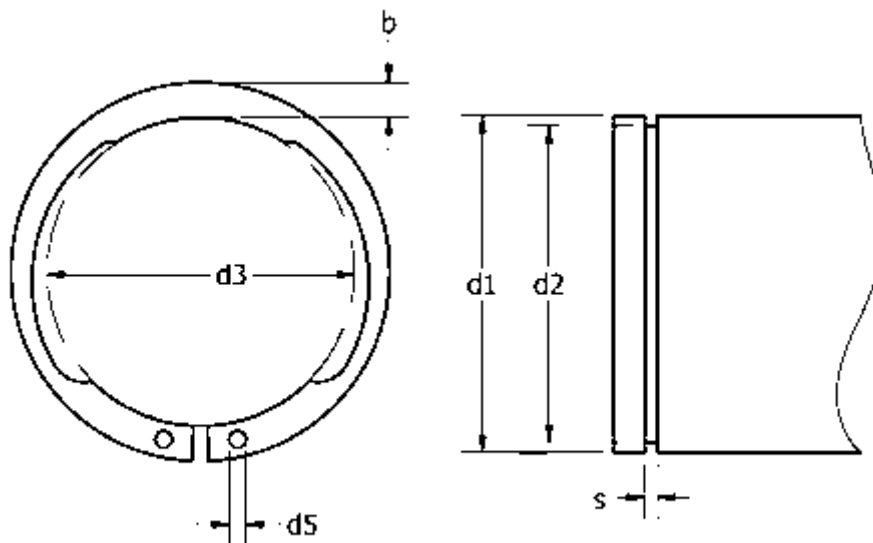


Article number: 0105082  
 Description: Retaining ring AV 70  
 Note: Fitted with ZGA pliers

## Measures



AN mm <sup>2</sup>	= 162.0	FRg kN	= 17.6	t	= 1.50
b	= 6.5	FR kN	= 103.0	tol	= -0.07
d1	= 70	g	= 2.5	tol	= -0.30
d2	= 67.0	K kN-mm	= 185.0	tol	= +0,46-1,10
d3	= 65.50	m min	= 2.65	tol	= 0.2
d5 min	= 2.5	n abl x 1000	= 6	Tong	= ZGA-3
Description	= AV 70	s	= 2.50	Weight kg/1000	= 23.70
FN kN	= 27.00	Side power N at I2	= 4.5		